

## **EE 492 WEEKLY REPORT 13**

Group number: DEC1616

Project title: Fluorescence Polarization

Client &/Advisor: Lu Meng

Team Members/Role: Xin Tong, Di Zhao, Tianqi Luo, Le Wei

### **Weekly Summary (Short summary about what you did this week)**

In this week, all team members focused on helping Xin solve the APP new bugs, the misplacement of the camera UI.

### **Past week accomplishments (please describe as what was done, by whom, when)**

We met each other every day and we spent more than 10 hours this week to solve the programming problem and design the holder in the soilworks. Xin has accomplished designing the crossed indicators with the data dynamically change based on the pixel and light intensity.

### **Pending issues (if applicable)**

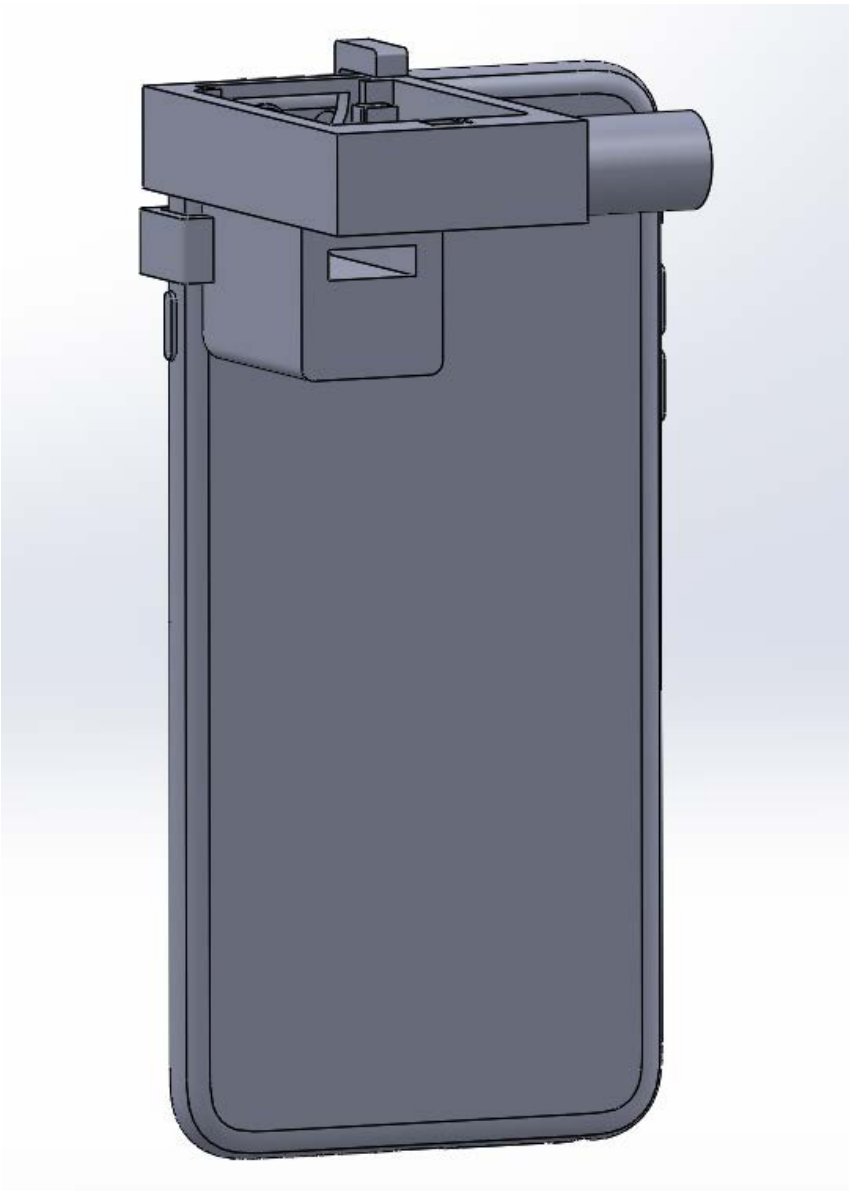
- A. Xin Tong: do the programming.
- B. Di Zhao: design the holder.
- C. Le Wei: do the programming.
- D. Tianqi Luo: do the programming.

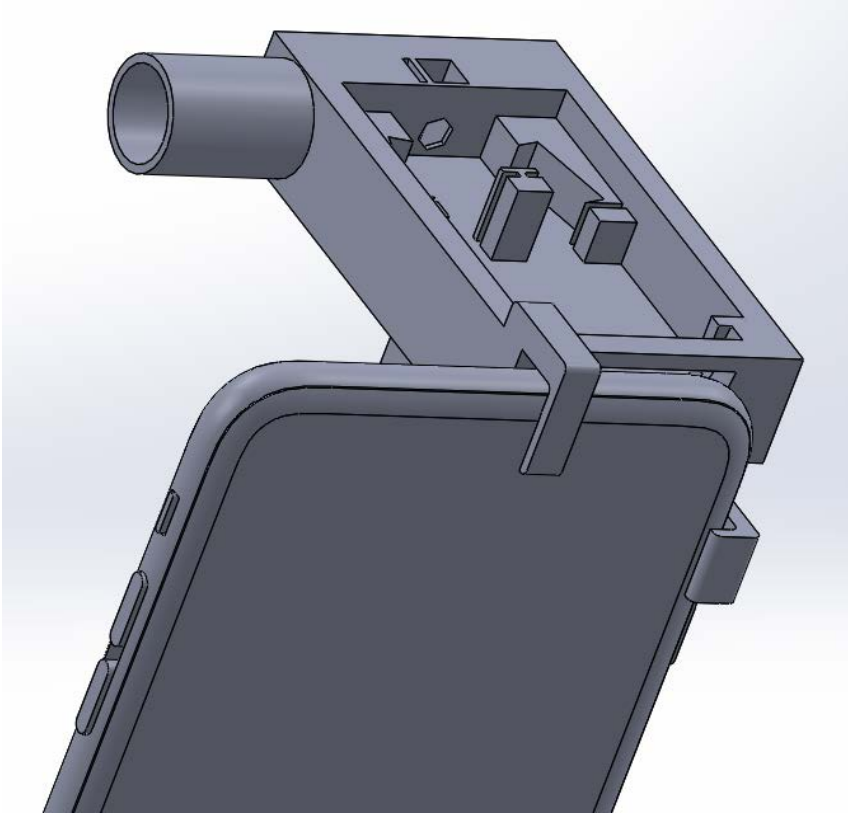
### **Individual contributions**

<u>NAME</u>	<u>Individual Contributions</u>	<u>Hours this week</u>	<u>HOURS cumulative</u>
A	Xin Tong	11	70
B	Di Zhao	12	70
C	Tianqi Luo	8	71
D	Le Wei	8	72

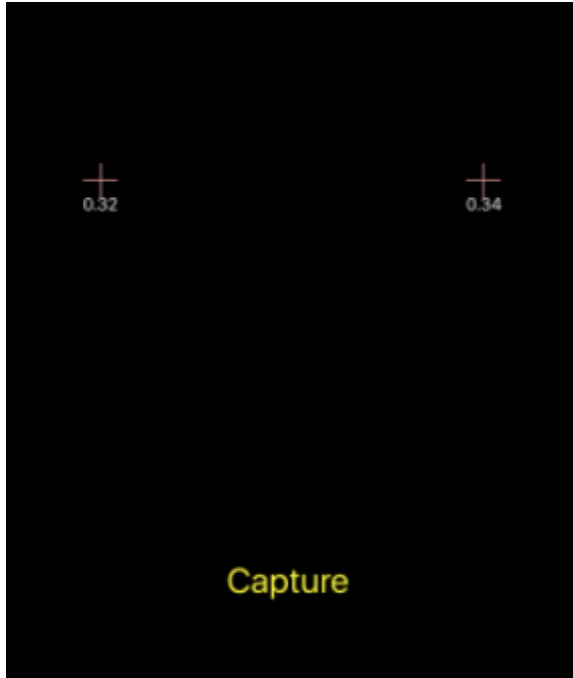
**Comments and extended discussion**

the program it is a big problem for us to solve.





(design the holder and attached the model of the iphone in the solidwork)



**Plan for coming week (please describe as what, who, when)**

Next week we use the 3D printer to print the holder and put the real holder to our iphone. Also, make sure the calculated data on the app is correct.