

## **EE 492 WEEKLY REPORT 11**

Group number: DEC1616

Project title: Fluorescence Polarization

Client &/Advisor: Lu Meng

Team Members/Role: Xin Tong, Di Zhao, Tianqi Luo, Le Wei

### **Weekly Summary (Short summary about what you did this week)**

This week we design the holder in the soildworks, the different between the last week design that is we attach the holder at this week's design.

### **Past week accomplishments (please describe as what was done, by whom, when)**

We met each other every day and we spent more than 10 hours this week to solve the programing problem and design the holder in the soildworks.

### **Pending issues (if applicable)**

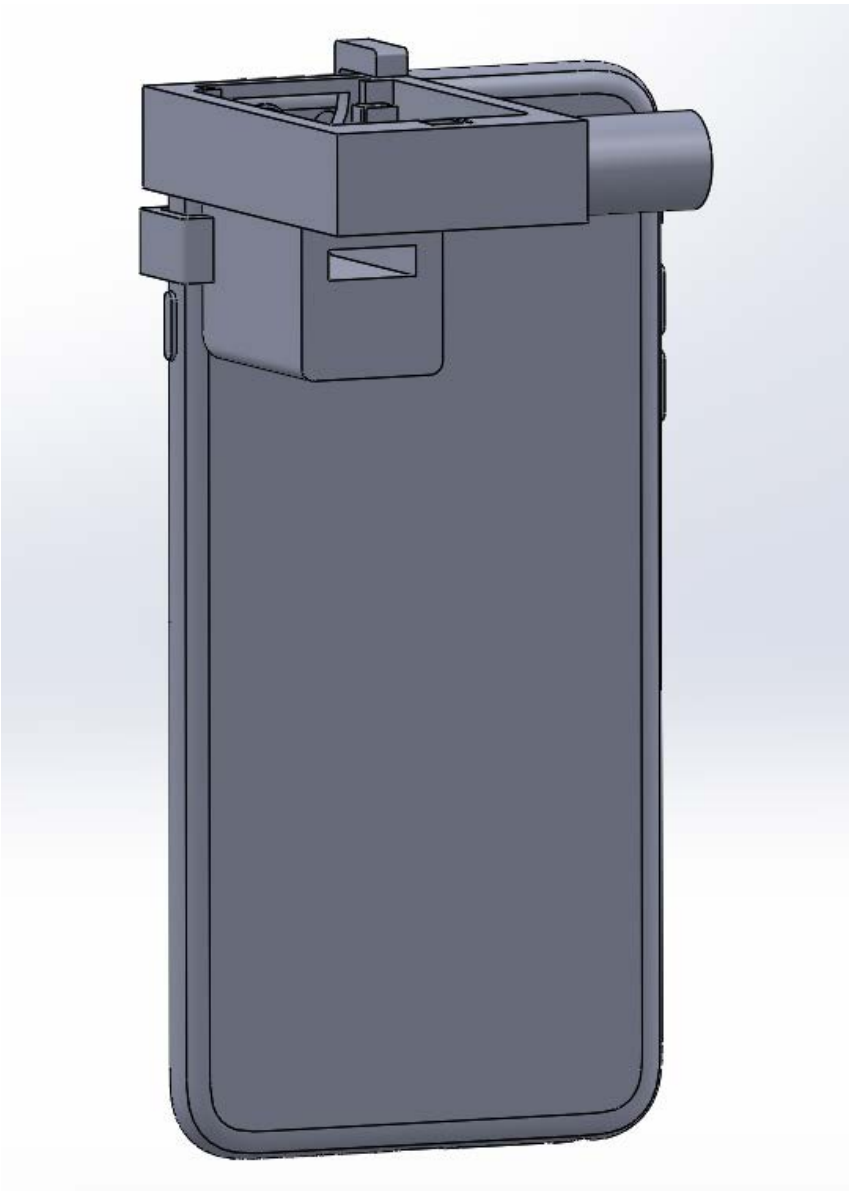
- A. Xin Tong: do the programming.
- B. Di Zhao: design the holder.
- C. Le Wei: do the programming.
- D. Tianqi Luo: do the programming.

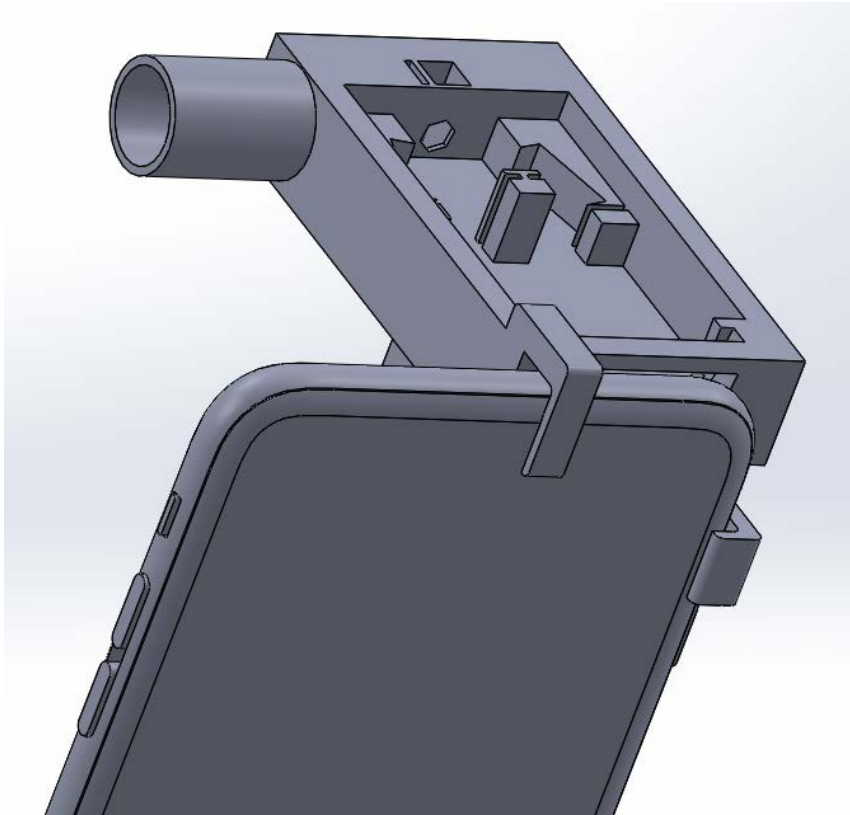
### **Individual contributions**

<u>NAME</u>	<u>Individual Contributions</u>	<u>Hours this week</u>	<u>HOURS cumulative</u>
A	Xin Tong	12	70
B	Di Zhao	12	70
C	Tianqi Luo	12	71
D	Le Wei	12	72

**Comments and extended discussion**

the program it is a big problem for us to solve.





(design the holder and attached the model of the iphone in the solidwork)

**Plan for coming week (please describe as what, who, when)**

Next week we use the 3D printer to print the holder and put the real holder to our iphone.