

## **EE 492 WEEKLY REPORT 10**

Group number: DEC1616

Project title: Fluorescence Polarization

Client &/Advisor: Lu Meng

Team Members/Role: Xin Tong, Di Zhao, Tianqi Luo, Le Wei

### **Weekly Summary (Short summary about what you did this week)**

This week we are continuing to test the data, then edit the third generation of our iphone holder.

### **Past week accomplishments (please describe as what was done, by whom, when)**

We tested the another liquid of the different concentration.

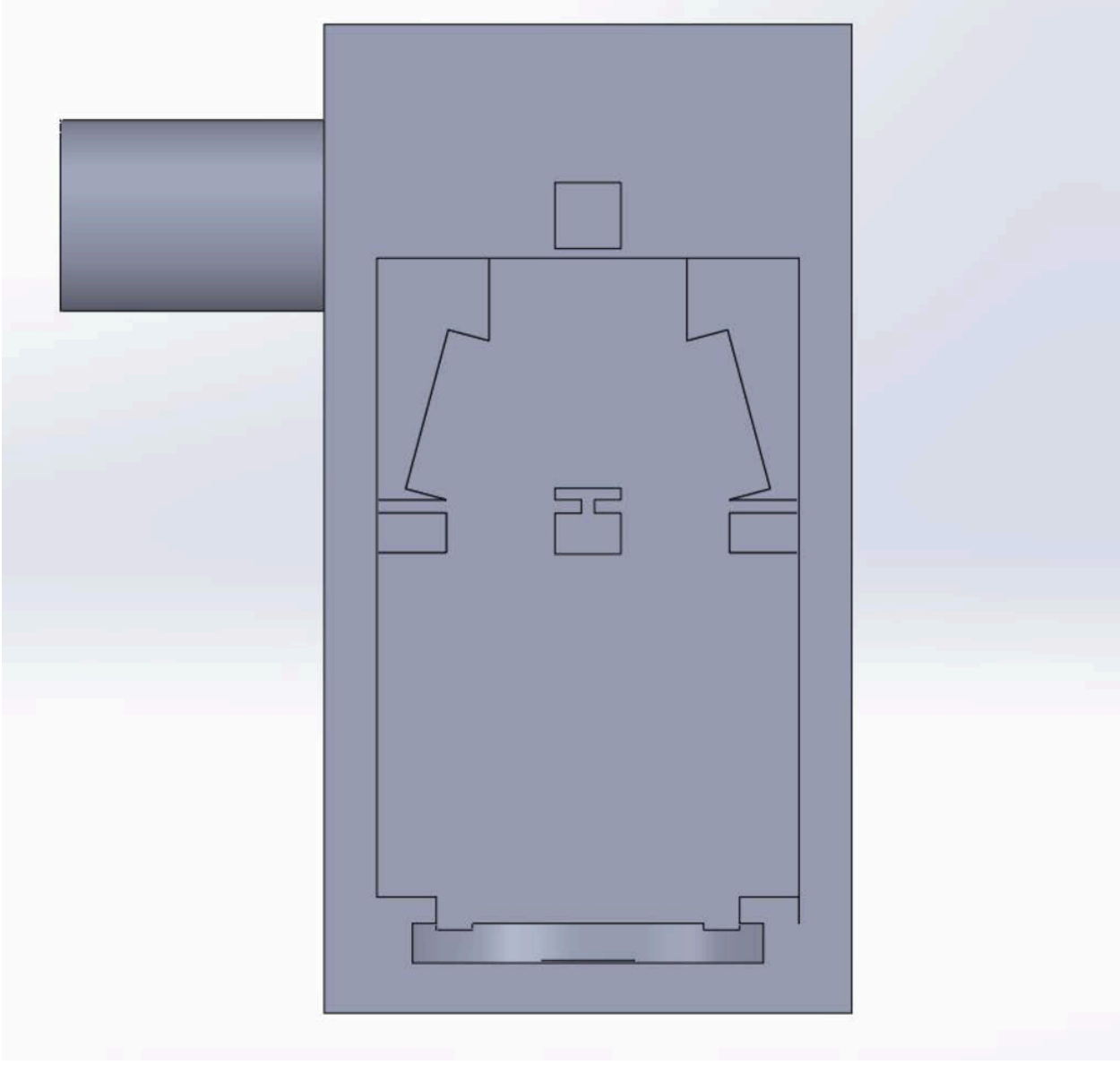
### **Pending issues (if applicable)**

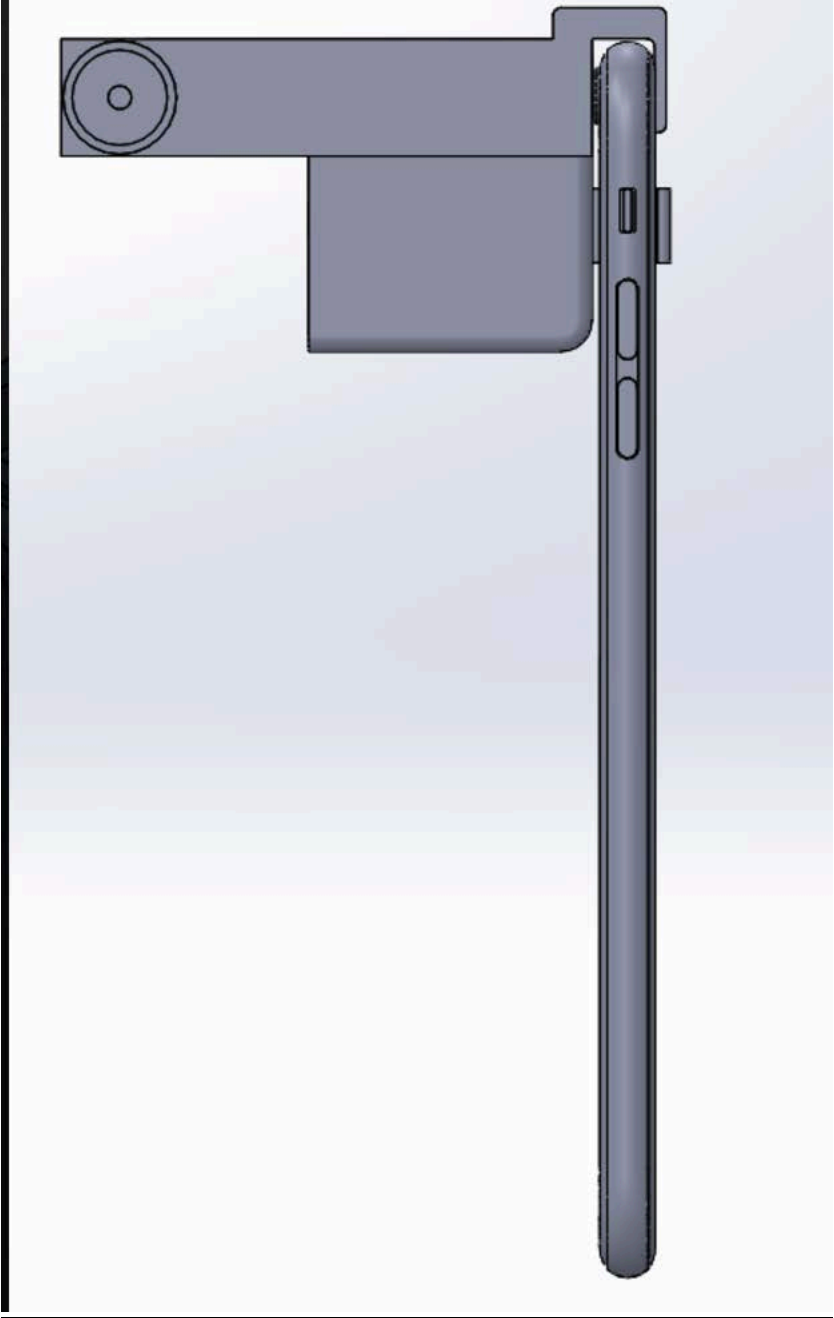
- A. Xin Tong: modified the program.
- B. Di Zhao: Design the new holder.
- C. Le Wei: testing.
- D. Tianqi: testing.

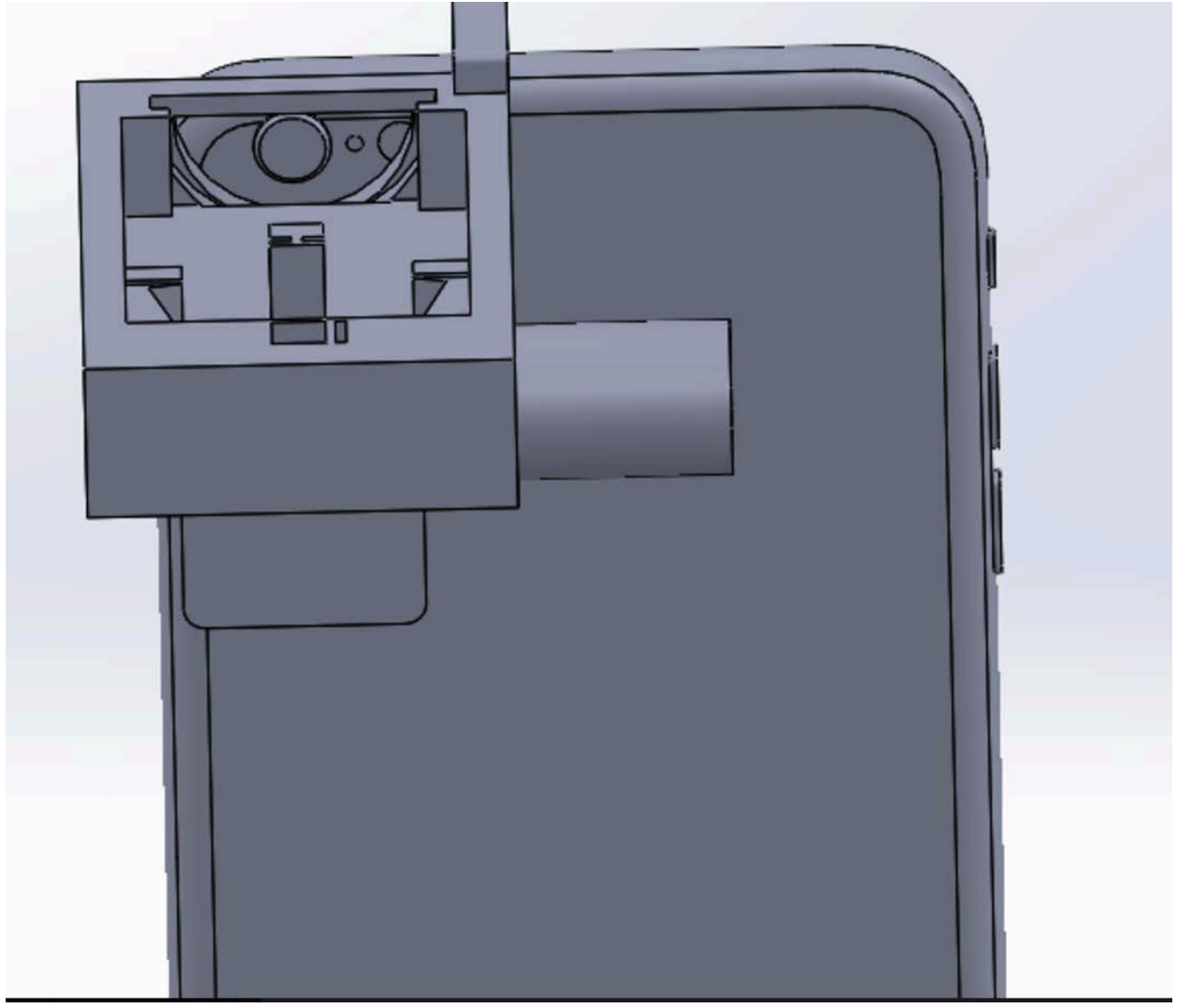
## Individual contributions

<u>NAME</u>	<u>Individual Contributions</u>	<u>Hours this week</u>	<u>HOURS cumulative</u>
A	Xin Tong	3	69
B	Di Zhao	4	67
C	Tianqi Luo	4	69
D	Le Wei	4	67

New design for the holder:







This is new holder that we design in the solidwork, this is third generation of our holder, we will attach the iphone for next week to see the size.